



WADI-TEC cable gland Presse étoupe WADI-TEC

IP PROTECTION :

IP 68

OPERATING

TEMPERATURE :

-25 °C / +120 °C

SPECIAL FEATURES :

- Packing ring GSE food
- Clamping device
- O-ring

MATERIAL :

- Stainless steel 316L-1.4404-V4A
- Available in nickel-plated brass
- Seal : santoprene
- O-ring : nitrile
- Insert : polycarbonate

THREAD :

Metric, PG

CERTIFICATION :

IEC 62 444

ACCESSORIES

AVAILABLE :

See accessories

INDICE DE PROTECTION : MATIÈRE :

IP 68

PLAGE DE TEMPÉRATURE :

-25 °C / +120 °C

AVANTAGES

TECHNIQUES :

- Garniture GSE alimentaire
- Griffe de masse
- Joint torique

• Inox 316L-1.4404-V4A

- Disponible en laiton nickelé
- Garniture : santoprène
- Joint torique : nitrile
- Insert : polycarbonate

FILETAGE :

Métrique, PG

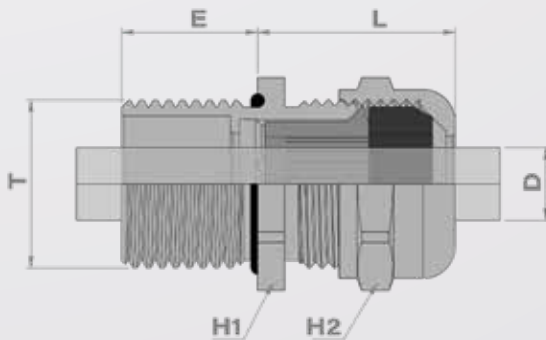
CERTIFICATION :

IEC 62 444

ACCESSOIRES

DISPONIBLES :

Voir page des accessoires



	Thread T	Part Number	Overall cable diameter D		H1	H2	E	L	Packing
			Min	Max					
Metric	12	R4231200	3,0	6,0	14	14	13,0	20,0	20
	16	R4231640	3,0	6,0	14	18	13,0	20,0	20
	16	R4231600	6,0	8,0	17	19	13,0	20,0	20
	20	R4232040	6,0	10,0	21	22	13,0	21,0	10
	20	R4232000	8,0	12,0	22	22	13,0	22,0	10
	25	R4232540	9,5	14,0	24	27	14,0	23,0	20
	25	R4232500	11,5	18,0	30	30	14,0	29,0	20
	32	R4233240	11,5	18,0	30	36	14,5	29,5	20
	32	R4233200	15,0	24,0	41	41	14,5	36,5	20
	40	R4234000	15,0	24,0	41	42	14,5	36,5	10
	50	R4235000	23,0	30,0	50	55	15,5	41,5	5
63	R4236300	26,0	35,0	57	70	16,5	47,5	5	
PG	07	R4210700	3,0	6,0	14	14	15,0	19,0	50
	09	R4210900	5,0	8,0	17	17	15,0	19,0	50
	11	R4211100	6,0	10,0	21	21	15,0	20,0	50
	13	R4211300	8,0	12,0	22	22	15,0	22,0	50
	16	R4211600	9,5	14,0	24	24	15,0	23,5	50
	21	R4212100	11,5	18,0	30	30	15,0	28,0	20
	29	R4212900	15,0	24,0	41	41	15,0	35,0	20
	36	R4213600	23,0	30,0	50	50	18,0	41,0	10
	42	R4214200	26,0	35,0	57	57	18,0	47,0	10
	48	R4214800	35,0	40,0	65	65	18,0	49,0	5
48 DIN	R4214900	35,0	40,0	65	65	18,0	49,0	5	