



## SIB-TEC JIS (*Japanese Industrial Standard*) cable gland Presse étoupe **SIB-TEC JIS** (*norme industrielle japonaise*)

### IP PROTECTION :

IP 66 / 68

### OPERATING

#### TEMPERATURE :

-40 °C / +100 °C

### SPECIAL FEATURES :

- Reduced sealing available
- O-ring included
- Application : JIS standard type
- Single compression

### MATERIAL :

- Nickel-plated brass
- Available in stainless steel 316L-1.4404-V4A
- Seal : EPDM
- O-ring : nitrile
- Insert : polyamide 6

### THREAD :

PF

### CERTIFICATION :

IEC 62 444

### ACCESSORIES

#### AVAILABLE :

See accessories

### INDICE DE PROTECTION :

IP 66 / 68

### PLAGE DE

#### TEMPÉRATURE :

-40 °C / +100 °C

### AVANTAGES

#### TECHNIQUES :

- Garnitures réductrices disponibles
- Joint inclus
- Application : JIS type standard
- Simple compression

### MATIÈRE :

- Laiton nickelé
- Disponible en inox 316L-1.4404-V4A
- Garniture : EPDM
- Joint torique : nitrile
- Insert : polyamide 6

### FILETAGE :

PF

### CERTIFICATION :

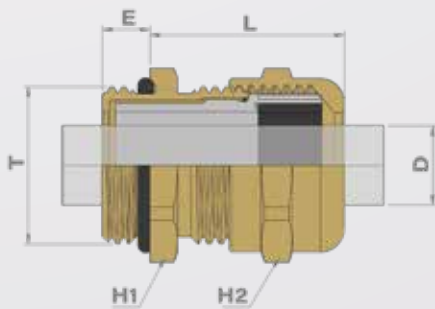
IEC 62 444

### ACCESSOIRES

#### DISPONIBLES :

Voir page des accessoires

OTHER APPLICATIONS



	Thread T	Part Number	Overall cable diameter D		H1	H2	E	L	Packing
			Min	Max					
PF	3/8"	C5700001	4,0	9,5	18	17	11,0	34,0	50
	3/8**	C5700006	2,5	7,0	18	17	11,0	34,0	50
	1/2"	C5700002	7,0	12,0	23	22	11,0	37,0	50
	1/2**	C5700007	4,0	10,0	23	22	11,0	37,0	50
	3/4"	C5700003	8,0	16,0	28	27	11,0	39,0	50
	3/4**	C5700008	5,0	13,0	28	27	11,0	39,0	50
	1"	C5700004	11,0	21,0	34	34	11,0	41,0	25
	1**	C5700009	7,0	17,0	34	34	11,0	41,0	25
	1*1/4	C5700005	15,0	27,0	44	42	12,0	45,0	25
	1*1/4*	C5700010	10,0	22,0	44	42	12,0	45,0	25

\*RED : Reduced sealing / Garniture réductrice