



# SIB-TEC EMC CAGE 360° cable gland

## Presse étoupe SIB-TEC CAGE CEM 360°

**IP PROTECTION :**  
IP 66 – 4X

**OPERATING TEMPERATURE :**  
-40° C / +100° C

**SPECIAL FEATURES :**

- For Single Wire Braid, SWB
- Reduced sealing available
- O-ring included
- Additional device for EMC function
- EMC tested

**MATERIAL :**

- Stainless steel 316L-1.4404-V4A
- Available in nickel-plated brass
- Seal : neoprene
- O-ring : nitrile
- Insert : PA6
- Insert : stainless steel

**THREAD :**  
Metric, NPT

**CERTIFICATIONS :**

- IEC 62 444
- VDE : 40048931
- UL : E184471
- DNV : TAE00004KD

**ACCESSORIES AVAILABLE :**  
See accessories

**INDICE DE PROTECTION :**  
IP 66 – 4X

**PLAGE DE TEMPÉRATURE :**  
-40° C / +100° C

**AVANTAGES TECHNIQUES :**

- Pour câble à tresse SWB
- Garnitures réductrices disponibles
- Joint torique inclus
- Composant spécifique pour la fonction CEM
- Testé CEM

**MATIÈRE :**

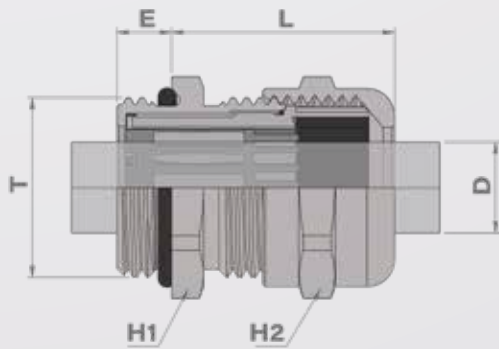
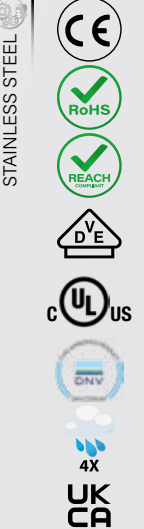
- Inox 316L-1.4404-V4A
- Disponible en laiton nickelé
- Garniture : néoprène
- Joint torique : nitrile
- Insert : PA6
- Insert : acier inoxydable

**FILETAGE :**  
Métrique, NPT

**CERTIFICATIONS :**

- IEC 62 444
- VDE : 40048931
- UL : E184471
- DNV : TAE00004KD

**ACCESSOIRES DISPONIBLES :**  
Voir page des accessoires



See assembly instruction p.91  
Voir notice de montage p. 91



	Thread T	Part Number	Overall cable diameter D		H1	H2	E	L	Packing
			Min	Max					
Metric	16	C5216205	4,0	9,5	19	19	5,0	23,0	50
	20	C5220205	7,0	13,0	22	22	6,0	26,0	50
	25	C5225205	8,0	16,0	30	29	7,0	28,0	25
	32	C5232205	11,0	21,0	36	36	8,0	30,0	20
	40	C5240205	15,0	27,0	46	42	8,0	33,0	10
	50	C5250205	22,0	35,0	55	55	9,0	37,0	5
NPT	63	C5263205	35,0	48,0	65	65	10,0	44,0	5
	3/8"	C5408205	4,0	9,5	19	19	15,0	23,0	50
	1/2"	C5412205	7,0	13,0	23	22	20,0	26,0	50
	3/4"	C5420205	8,0	16,0	29	29	20,0	28,0	20
	1"	C5428205	11,0	21,0	36	36	25,0	30,0	20

\*RED : Reduced sealing / Garniture réductrice