

# ENLARGERS Ex d AMPLIFICATEURS Ex d


**IP PROTECTION :**

IP 68

**OPERATING**
**TEMPERATURE :**

- 50 °C / +100 °C
- 20 °C / +200 °C (viton o-ring, available on request)
- 30 °C / +100 °C (nitrile)
- 40 °C / +130 °C (specific nitrile)

**MATERIAL :**

- Nickel-plated brass
- Available in stainless steel 316L-1.4404-V4A
- O-ring : nitrile

**THREAD :**

Metric, NPT

**ATEX SPECIFICATIONS :**

- Type of protection : Ex e / Ex td
- Equipment group : II
- Category : 2 & 3
- Atmosphere : G & D
- Zones : 1, 2, 21, 22

**CERTIFICATIONS :**

- EN 60079-0 (2012) + A11 (2013)
- EN 60079-7 (2007)
- EN 60079-31 (2009)
- EN 60079-1
- LCIE 07 ATEX 0013 U
- INMETRO : BVC11.0666-U
- TR CU EX : RU C-FR.BH02.B.00558/20
- UA.TR.006.B.99902-23 U

**INDICE DE PROTECTION :**

IP 68

**PLAGE DE**
**TEMPÉRATURE :**

- 50 °C / +100 °C
- 20 °C / +200 °C (joint torique viton en option)
- 30 °C / +100 °C (nitrile)
- 40 °C / +130 °C (nitrile spécifique)

**MATIÈRE :**

- Laiton nickelé
- Existe en inox 316L-1.4404-V4A
- Joint torique : nitrile

**FILETAGE :**

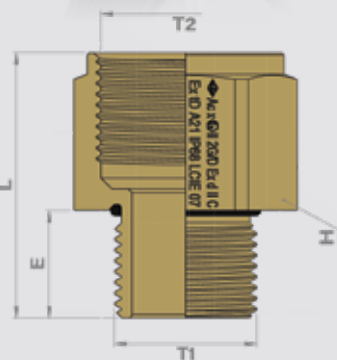
Métrique, NPT

**SPÉCIFICATIONS ATEX :**

- Mode de protection : Ex e / Ex td
- Groupe d'appareils : II
- Catégories : 2 & 3
- Atmosphères : G & D
- Zones : 1, 2, 21, 22

**CERTIFICATIONS :**

- EN 60079-0 (2012) + A11 (2013)
- EN 60079-7 (2007)
- EN 60079-31 (2009)
- EN 60079-1
- LCIE 07 ATEX 0013 U
- INMETRO : BVC11.0666-U
- TR CU EX : RU C-FR.BH02.B.00558/20
- UA.TR.006.B.99902-23 U



	Thread T		Part Number	H	E	L	Packing	Locknuts
	T1	T2						
Metric			+ O-ring					
	12	16	D8812165	19	15,0	37,0	1	D4312109
	16	20	D8816205	23	15,0	37,0	1	D4316107
	20	25	D8820255	28	15,0	37,0	1	D4320104
	25	32	D8825325	36	15,0	38,0	1	D4325109
	32	40	D8832405	44	15,0	38,0	1	D4332107
	40	50	D8840505	55	15,0	39,0	1	D4340102
	50	63	D8850635	70	16,0	41,0	1	D4350101
	63	75	D8863755	80	17,0	45,0	1	D4363101
	75	90 x 200	D8875905	95	18,0	52,0	1	D4375104
	90 x 200	100 x 200	D8890995	110	22,0	56,0	1	D4390100
	Thread T		Part Number	H	E	L	Packing	
	T1	T2						
NPT	1/2"	3/4"	D8814191	30	20,0	47,0	1	
	3/4"	1"	D8819281	38	20,0	54,0	1	
	1"	1 1/4"	D8828351	50	25,0	59,0	1	
	1 1/4"	1 1/2"	D8835411	52	25,0	59,0	1	
	1 1/2"	2"	D8841471	64	26,0	63,0	1	
	2"	2 1/2"	D8847511	80	27,0	78,0	1	
	2 1/2"	3"	D8851611	100	40,0	96,0	1	