



BOULAY® cable gland Presse étoupe BOULAY®

IP PROTECTION :
IP 65

OPERATING TEMPERATURE :
-25 °C / +120 °C

SPECIAL FEATURES :

- Short thread
- Long thread on request

MATERIAL :

- Nickel-plated brass
- Seal : TPE
- Galvanized steel washer

THREAD :
Metric, PG

CERTIFICATION :
IEC 62 444

ACCESSORIES AVAILABLE :
See accessories

INDICE DE PROTECTION :
IP 65

PLAGE DE TEMPÉRATURE :
-25 °C / +120 °C

AVANTAGES TECHNIQUES :

- Filetage court
- Filetage long sur demande

MATIÈRE :

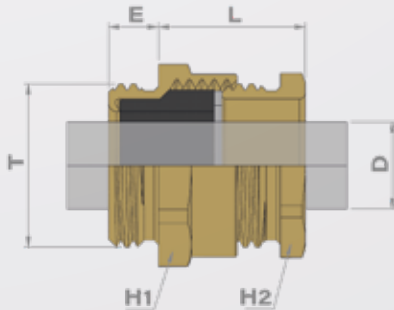
- Laiton nickelé
- Garniture : TPE
- Rondelle : acier zingué

FILETAGE :
Métrique, PG

CERTIFICATION :
IEC 62 444

ACCESSOIRES DISPONIBLES :
Voir page des accessoires

BRASS STANDARD



	Thread T	Part Number	Overall cable diameter D		H1	H2	E	L	Packing
			Min	Max					
Metric	12	C1212000	3,0	6,0	14	13	5,0	13,0	50
	16	C1216000	4,5	9,0	18	16	6,0	15,5	50
	20	C1220000	8,0	13,0	22	20	6,0	17,5	50
	25	C1225000	11,0	17,0	27	25	7,0	17,5	50
	32	C1232000	16,0	23,0	34	32	7,0	17,5	20
	40	C1240000	20,0	29,0	42	40	8,0	24,0	20
	50	C1250000	28,0	38,0	52	50	10,0	25,0	5
	63	C1263000	37,0	50,0	65	64	12,0	32,0	5
PG	07	C0007108	3,0	6,0	14	13	5,0	14,0	50
	09	C0009102	6,5	8,5	17	15	5,0	11,0	50
	11	C0011105	8,0	11,0	20	18	6,0	12,0	50
	13	C0013109	9,5	12,0	22	20	6,0	13,0	50
	16	C0016100	10,0	14,0	24	22	6,0	15,0	50
	21	C0021104	13,0	19,0	30	28	7,0	17,0	20
	29	C0029100	17,0	24,0	39	37	8,0	21,0	20
	36	C0036108	24,0	32,0	50	47	8,0	23,0	10
	42	C0042109	30,0	37,0	58	54	10,0	25,0	5
	48*	C0048101	36,0	43,0	65	60	10,0	28,0	5

*Use locknut part number D4048107 / Utiliser référence écrou D4048107