

Hexagonal ADAPTORS

ADAPTATEURS 6 pans

ACCESSORIES

IP PROTECTION :
 IP 68 with sealing

OPERATING TEMPERATURE :

- 25 °C / +120 °C (nitrile)
- 20 °C / +200 °C (viton)
- 60 °C / +160 °C (silicone)

MATERIAL :

- Nickel-plated brass
- Available in stainless steel 316L-1.4404-V4A

THREAD :

Metric, PG, NPT

INDICE DE PROTECTION :
 IP 68 avec joint

PLAGE DE TEMPÉRATURE :

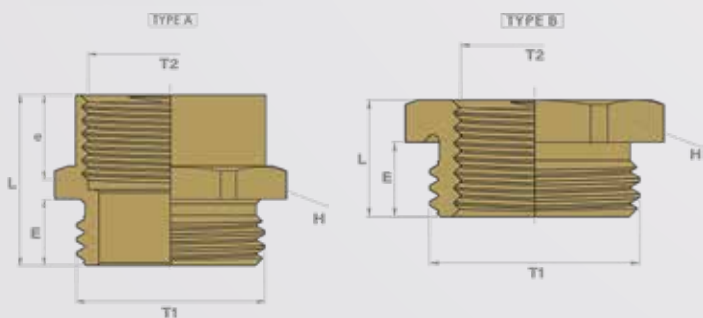
- 25 °C / +120 °C (nitrile)
- 20 °C / +200 °C (viton)
- 60 °C / +160 °C (silicone)

MATIÈRE :

- Laiton nickelé
- Disponible en inox 316L-1.4404-V4A

FILETAGE :

Métrique, PG, NPT



	Thread		Part Number	Type	H	E	e	L
	T1 (M)	T2 (PG)						
Metric/ PG	12	07	J7512070	A	14	7,0	6,0	17,0
	16	07	J7516070	B	18	7,0	-	10,5
	16	09	J7516090	A	18	7,0	7,0	17,5
	16	11	J7516110	A	22	7,0	7,0	18,0
	16	13	J7516130	A	22	7,0	8,5	19,5
	20	09	J7520090	B	22	7,0	-	11,0
	20	11	J7520110	A	22	7,0	7,0	18,0
	20	13	J7520130	A	22	7,0	8,5	19,5
	20	16	J7520160	A	24	7,0	8,5	20,5
	20	21	J7520210	A	32	7,0	11,0	22,5
	25	09	J7525090	B	27	8,0	-	12,0
	25	11	J7525110	B	27	8,0	-	12,0
	25	13	J7525130	B	27	8,0	-	12,0
	25	16	J7525160	A	27	8,0	8,5	21,5
	25	21	J7525210	A	32	8,0	11,0	23,0
	25	29	J7525290	A	40	8,0	11,0	25,0
	32	13	J7532130	B	34	8,5	-	12,5
	32	16	J7532160	B	34	8,5	-	12,5
	32	21	J7532210	A	34	8,5	11,0	23,5
	32	21	J7532212	B	34	8,5	-	12,5
	32	29	J7532290	A	40	8,5	11,0	25,0
	40	21	J7540210	B	42	8,5	-	13,5
	40	29	J7540290	A	42	8,5	11,0	25,0
	40	29	J7540292	B	42	8,5	-	13,5
	50	36	J7540360	A	50	8,5	12,0	28,0
	50	29	J7550290	B	52	9,5	-	15,5
	50	36	J7550360	A	52	9,5	12,0	29,0
	63	42	J7550420	A	57	9,5	15,0	31,5
63	29	J7563290	B	65	10,5	-	17,5	
63	36	J7563360	B	65	10,5	-	17,5	
63	42	J7563420	A	65	10,5	15,0	32,5	
63	42	J7563422	B	65	10,5	-	17,5	
63	48 DIN	J7563490	A	65	10,5	17,0	32,5	
75	48 DIN	J7575490	A	80	11,5	17,0	34,5	

	Thread		Part Number	Type	H	E	e	L
	T1 (PG)	T2 (M)						
PG/ Metric	07	12	J7507100	A	17	6,5	7,5	16,5
	07	16	J7507200	A	19	6,5	7,5	16,5
	09	12	J7509100	B	19	6,5	-	10,0
	09	16	J7509200	A	19	6,5	7,5	16,5
	09	20	J7509300	A	22	6,5	7,5	16,5
	11	16	J7511103	B	22	7,0	-	11,0
	11	20	J7511200	A	22	7,0	7,5	17,0
	11	25	J7511300	A	27	7,0	8,5	18,0
	13	16	J7513107	B	24	7,0	-	11,0
	13	20	J7513200	A	24	7,0	7,5	17,0
	13	25	J7513300	A	27	7,0	8,5	18,0
	16	20	J7516108	A	27	7,0	7,5	16,0
	16	25	J7516200	A	27	7,0	8,5	18,0
	16	32	J7516300	A	36	7,0	9,0	18,5
	21	25	J7521102	B	32	8,0	-	13,0
	21	32	J7521200	A	36	8,0	9,0	19,5
	21	40	J7521300	A	42	8,0	9,0	19,5
	29	32	J7529108	B	40	8,5	-	14,0
	29	40	J7529200	A	42	8,5	9,0	20,0
	29	50	J7529300	A	55	8,5	10,0	21,0
	36	40	J7536106	B	55	8,5	-	15,0
	36	50	J7536200	A	55	8,5	10,0	21,0
	42	50	J7542100	B	58	10,0	-	16,5
	42	63	J7542200	A	65	10,0	11,0	23,5
	48	50	J7549106	B	65	10,0	-	17,0
	48	63	J7549200	A	65	10,0	11,0	23,5
	48	75	J7549300	A	80	10,0	12,0	24,5
		Thread		Part Number	H	E	e	L
T1 (NPT)		T2 (M)						
NPT/ Metric	3/8"	16	J7508916	20	15,0	7,5	25,0	
	3/8"	20	J7508920	23	15,0	7,5	26,0	
	3/8"	25	J7508925	28	15,0	8,5	27,0	
	1/2"	16	J7512916	23	20,0	8,0	30,0	
	1/2"	20	J7512920	23	20,0	7,5	30,0	
	1/2"	25	J7512925	28	20,0	8,5	32,0	
	3/4"	16	J7520916	28	20,0	-	24,0	
	3/4"	20	J7520920	28	20,0	-	24,0	
	3/4"	25	J7520925	28	20,0	8,5	30,0	
	3/4"	32	J7520932	36	20,0	9,0	33,0	
	1"	20	J7528920	36	25,0	-	31,0	
	1"	25	J7528925	36	25,0	-	31,0	
	1"	32	J7528932	36	25,0	9,0	37,0	
	1"	40	J7528940	46	25,0	9,0	38,0	
	1 1/4"	25	J7535925	46	25,0	-	36,0	
	1 1/4"	32	J7535932	46	25,0	-	36,0	
	1 1/4"	40	J7535940	46	25,0	9,0	38,0	
	1 1/2"	40	J7541940	52	26,0	-	37,0	
	1 1/2"	50	J7541950	55	26,0	10,0	40,0	
	1 1/2"	63	J7541963	70	26,0	11,0	41,0	
	2"	50	J7547950	65	27,0	-	38,0	
	2"	63	J7547963	70	27,0	11,0	42,0	



Notched **ADAPTORS** **ADAPTATEURS** *crantés*

IP PROTECTION :
IP 68 with sealing

MATERIAL :
Nickel-plated brass

INDICE DE PROTECTION :
IP 68 avec joint

MATIÈRE :
Laiton nickelé

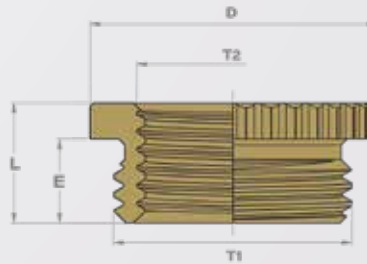
OPERATING TEMPERATURE :
-25 °C / +120 °C (nitrile)
+ o-ring on request

THREAD :
Metric, PG

PLAGE DE TEMPÉRATURE :
-25 °C / +120 °C (nitrile)
+ joint torique sur demande

FILETAGE :
Métrique, PG

ACCESSORIES



	Thread		Part Number	D	E	L
	T1 (M)	T2 (PG)				
Metric/ PG	16	07	D6916070	20,0	6,0	9,0
	20	09	D6920090	24,0	6,5	9,5
	25	11	D6925110	30,0	7,0	10,0
	25	13	D6925130	30,0	7,0	10,0
	25	16	D6925160	30,0	7,0	10,0
	32	16	D6932160	39,0	8,0	11,5
	32	21	D6932210	39,0	8,0	11,5
	40	21	D6940210	50,0	9,0	12,0
	50	29	D6950290	57,0	9,0	12,0
	63	36	D6963360	70,0	10,5	14,5
	63	42	D6963420	70,0	10,5	14,5