



# WADI-TEC cable gland with seal for flat cable

## Presse étoupe **WADI-TEC** câble plat

**IP PROTECTION :**  
IP 68

**OPERATING TEMPERATURE :**  
-30 °C / +120 °C

**SPECIAL FEATURES :**

- Sealing for flat cable
- Free of halogen
- Specific for sealed packing rings
- Colors available :
  - RAL 7035
  - RAL 9005

**MATERIAL :**  
• Polyamide 6 25% glassfiber reinforced  
• Seal : TPE

**THREAD :**  
Metric, PG

**CERTIFICATION :**  
IEC 62 444

**ACCESSORIES AVAILABLE :**  
See accessories page

**INDICE DE PROTECTION :**  
IP 68

**PLAGE DE TEMPÉRATURE :**  
-30 °C / +120 °C

**AVANTAGES**

- TECHNIQUES :**
- Garniture pour câble plat
  - 0 halogène
  - Spécifique pour le passage de plusieurs câbles
  - Couleurs disponibles :
    - RAL 7035
    - RAL 9005

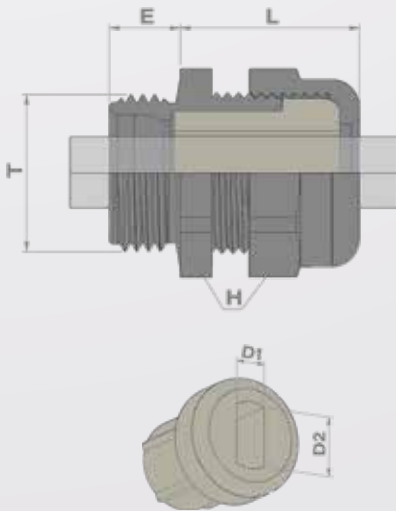
**MATIÈRE :**  
• Polyamide 6 chargé 25 % fibre de verre  
• Garniture : TPE

**FILETAGE :**  
Métrique, PG

**CERTIFICATION :**  
IEC 62 444

**ACCESSOIRES DISPONIBLES :**  
Voir page des accessoires

PLASTIC STANDARD



	Thread T	Part Number		D1 x D2	H	E	L	Type of set	Packing
		RAL 7035	RAL 9005						
Metric	16	Z6621600	Z7621600	3,5 x 5,5	19	8,0	24,0	rounded	50
	20	Z6622010	Z7622010	5,0 x 11,0	24	9,0	27,0	rounded	50
	20	Z6622050	Z7622050	5,0 x 12,0	24	9,0	27,0	oval	50
	20	Z6622030	Z7622030	7,5 x 14,0	27	9,0	30,0	rounded	50
	25	Z6622500	Z7622500	5,0 x 16,0	33	11,0	33,0	rounded	20
	25	Z6622520	Z7622520	7,0 x 18,0	33	11,0	33,0	rounded	20
	25	Z6622540	Z7622540	5,0 x 15,0	33	11,0	33,0	oval	20
	25	Z6622550	Z7622550	5,0 x 16,0	33	11,0	33,0	oval	20
	32	Z6623200	Z7623200	8,0 x 25,0	42	12,0	43,0	rounded	20
	40	Z6624000	Z7624000	6,0 x 29,0	55	15,0	48,0	rounded	10
	40	Z6624030	Z7624030	8,0 x 36,0	55	15,0	48,0	rounded	10
	63	Z6626300	Z7626300	6,5 x 47,0	70	15,0	50,0	rounded	5
PG	11	Z6601110	Z7601110	3,5 x 9,0	22	8,0	22,0	rounded	50
	16	Z6601620	Z7601620	7,5 x 14,0	27	10,0	23,0	rounded	50
	16	Z6601610	Z7601610	5,0 x 16,0	33	10,0	26,0	rounded	50
	21	Z6602120	Z7602120	9,0 x 15,0	33	11,0	26,0	rounded	20
	21	Z6602150	Z7602150	7,0 x 20,0	42	11,0	27,0	oval	20