



WADI-MAX cable gland Presse étoupe WADI-MAX

IP PROTECTION :
IP 66 / 68 / 69K

OPERATING TEMPERATURE :

- 40 °C / +100 °C (neoprene)
- On request :
- 60 °C / +160 °C (silicone)
- 20 °C / +200 °C (viton)

SPECIAL FEATURES :

- M72 thread available
- Large range (M12 to M110)
- Extra-large clamping range (from 4 to 89 mm)
- Increased strain relief
- O-ring on entry thread
- Anti-twisting ring
- Viton : hydrocarbons, oil, acid resistant

MATERIAL :

- Nickel-plated brass
- Brass (on request)
- Available in stainless steel 316L-1.4404-V4A
- Seal : neoprene
- O-ring : nitrile
- Anti-twisting ring : polyamide

THREAD :

- NPT from 1/4" to 3" 1/2
- ISO from M12 to M110
- Other thread on request

CERTIFICATION :

IEC 62 444

ACCESSORIES AVAILABLE :

See accessories page

INDICE DE PROTECTION :
IP 66 / 68 / 69K

PLAGE DE TEMPÉRATURE :

- 40 °C / +100 °C (néoprène)
- Sur demande :
- 60 °C / +160 °C (silicone)
- 20 °C / +200 °C (viton)

AVANTAGES TECHNIQUES :

- Filetage M72 disponible
- Large taille (M12 à M110)
- Large capacité de serrage (de 4 à 89 mm)
- Résistance à la traction renforcée
- Joint torique à l'implantation
- Bague anti-rotation
- Viton : résistance aux hydrocarbures, huiles, acides

MATIÈRE :

- Laiton nickelé
- Laiton brut (sur demande)
- Disponible en inox 316L-1.4404-V4A
- Garniture : néoprène
- Joint torique : nitrile
- Bague anti-rotation : polyamide

FILETAGE :

- NPT de 1/4" à 3" 1/2
- ISO de M12 à M110
- Autre filetage sur demande

CERTIFICATION :

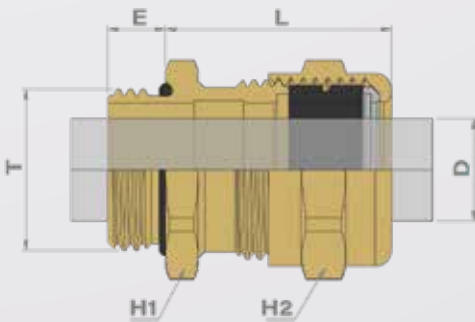
IEC 62 444

ACCESSOIRES DISPONIBLES :

Voir page des accessoires



BRASS STANDARD



	Thread	Part Number			Overall cable diameter D				H1	H2	E	L	Packing
		Neoprene (N)	Viton (V)	Silicone (Sil)	Min N/V	Max N/V	Min Sil	Max Sil					
Metric	12	C1504112	C1504912	C1504913	4,0	8,0	4,0	8,0	17	17	7,0	28,0	25
	16	C1504116	C1504916	C1504917	4,0	8,0	4,0	8,0	20	17	7,0	28,0	25
	16	C1505116	C1505916	C1505917	7,0	12,0	7,0	12,0	20	20	7,0	26,0	25
	20	C1506120	C1506920	C1506921	9,0	16,0	11,0	16,0	24	24	7,0	27,0	25
	25	C1506125	C1506925	C1506926	9,0	16,0	11,0	16,0	30	24	8,0	27,0	10
	25	C1507125	C1507925	C1507926	13,0	20,5	15,0	20,5	30	30	8,0	30,0	10
	32	C1507133	C1507932	C1507933	13,0	21,0	15,0	21,0	36	30	8,5	30,0	10
	32	C1508132	C1508932	C1508933	16,0	27,0	19,5	27,0	40	40	8,5	39,0	10
	40	C1509140	C1509940	C1509941	21,0	34,0	25,0	33,0	48	48	8,5	42,0	10
	50	C1510150	C1510950	C1510951	28,0	41,0	32,5	40,0	55	55	9,5	46,0	5
	63	C1511163	C1511963	C1511964	34,0	47,5	38,0	47,5	68	64	10,5	47,0	5
	63	C1512163	C1512963	C1512964	42,0	53,0	47,0	53,0	70	70	10,5	50,0	5
	72 X 200	C1513172	C1513972	C1513973	48,0	65,0	51,0	64,0	85	85	11,5	62,0	1
	75	C1513175	C1513975	C1513976	48,0	65,0	51,0	64,0	85	85	11,5	62,0	1
	80 X 200	C1514180	C1514980	C1514981	55,0	71,0	62,0	71,0	95	95	12,0	65,0	1
	90 X 200	C1515190	C1515990	C1515991	65,0	79,0	71,0	79,0	110	110	12,0	70,0	1
	100 X 200	C1516199	C1516999	C1517999	74,0	89,0	78,0	89,0	120	120	12,0	71,0	1
110 X 200	C1517110	C1517910	C1517911	74,0	89,0	78,0	89,0	120	120	12,0	71,0	1	