

SIB-TEC cable gland

Presse étoupe SIB-TEC



BRASS STANDARD

IP PROTECTION :
IP 66 / 68

OPERATING TEMPERATURE :
-40 °C / +100 °C

SPECIAL FEATURES :
• Reduced sealing available
• O-ring included

MATERIAL :
• Nickel-plated brass
• Available in stainless steel 316L-1.4404-V4A
• Seal : Neoprene

• O-ring : nitrile
• Insert : Polyamide 6

THREAD :
Metric, PG, NPT

CERTIFICATION :
IEC 62 444

ACCESSORIES AVAILABLE :
See accessories page



INDICE DE PROTECTION : **MATIÈRE :**
IP 66 / 68

PLAGE DE TEMPÉRATURE :
-40 °C / +100 °C

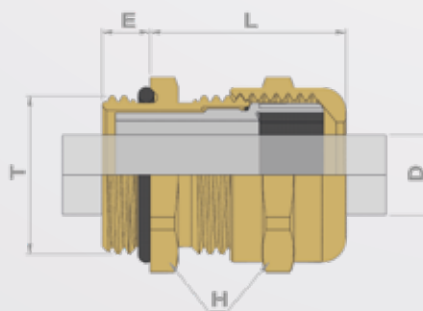
AVANTAGES TECHNIQUES :
• Garnitures réductrices disponibles
• Joint inclus

• Laiton nickelé
• Disponible en inox 316L-1.4404-V4A
• Garniture : Néoprène
• Joint torique : nitrile
• Insert : Polyamide 6

FILETAGE :
Métrique, PG, NPT

CERTIFICATION :
IEC 62 444

ACCESSOIRES DISPONIBLES :
Voir page des accessoires



	Thread T	Part Number	Overall cable diameter D				H	E	L	Packing		Thread T	Part Number	E	Packing
			Min	Max	Min	Max									
Metric	12	C5212000	2,5	6,5	0,098	0,256	14	5,0	20,0	50	Metric Long	12	C5312000	15,0	50
	16	C5216000	4,0	9,5	0,157	0,374	17	5,0	23,0	50		16	C5316000	15,0	50
	20	C5220000	7,0	13,0	0,276	0,512	22	6,0	26,0	50		20	C5320000	15,0	50
	25	C5225000	8,0	16,0	0,315	0,630	27	7,0	28,0	25		25	C5325000	15,0	25
	32	C5232000	11,0	21,0	0,433	0,827	34	8,0	30,0	20		32	C5332000	15,0	20
	40	C5240000	15,0	27,0	0,591	1,063	42	8,0	33,0	10		40	C5340000	15,0	10
	50	C5250000	22,0	35,0	0,866	1,378	55	9,0	37,0	5		50	C5350000	15,0	5
Metric RED*	63	C5263000	35,0	48,0	1,378	1,890	65	10,0	44,0	5	63	C5363000	15,0	5	
	12	C5212040	1,5	5,0	0,059	0,197	14	5,0	20,0	50	Metric Long RED*	12	C5312040	15,0	50
	16	C5216040	2,5	7,0	0,098	0,276	17	5,0	23,0	50		16	C5316040	15,0	50
	20	C5220040	4,0	10,0	0,157	0,394	22	6,0	26,0	50		20	C5320040	15,0	50
	25	C5225040	5,0	13,0	0,197	0,512	27	7,0	28,0	25		25	C5325040	15,0	25
	32	C5232040	7,0	17,0	0,276	0,669	34	8,0	30,0	20		32	C5332040	15,0	20
	40	C5240040	10,0	22,0	0,394	0,866	42	8,0	33,0	10		40	C5340040	15,0	10
50	C5250040	17,0	29,0	0,669	1,142	55	9,0	37,0	5	50		C5350040	15,0	5	
PG	63	C5263040	28,0	40,0	1,102	1,575	65	10,0	44,0	5	63	C5363040	15,0	5	
	07	C5007000	2,5	6,5	0,098	0,256	14	5,0	20,0	50	PG Long	07	C5107000	15,0	50
	09	C5009000	4,0	9,5	0,157	0,374	17	6,0	23,0	50		09	C5109000	15,0	50
	11	C5011000	6,0	11,5	0,236	0,453	20	6,0	24,0	50		11	C5111000	15,0	50
	13	C5013000	7,0	13,0	0,276	0,512	22	6,5	26,0	50		13	C5113000	15,0	50
	16	C5016000	8,0	15,0	0,315	0,591	24	6,5	27,5	50		16	C5116000	15,0	50
	21	C5021000	11,0	19,0	0,433	0,748	30	7,0	28,0	20		21	C5121000	15,0	20
	29	C5029000	16,0	26,0	0,630	1,024	40	8,0	30,0	20		29	C5129000	15,0	20
	36	C5036000	22,0	34,5	0,866	1,358	50	9,0	38,0	10		36	C5136000	15,0	10
42	C5042000	27,0	40,0	1,063	1,575	58	10,0	40,0	5	42		C5142000	15,0	5	
48DIN	C5049000	35,0	48,0	1,378	1,890	65	10,0	44,0	5	48DIN	C5149000	15,0	5		
PG RED*	07	C5007400	1,5	5,0	0,059	0,197	14	5,0	20,0	50	PG Long RED*	07	C5107400	15,0	50
	09	C5009400	2,5	7,0	0,098	0,276	17	6,0	23,0	50		09	C5109400	15,0	50
	11	C5011400	3,0	8,5	0,118	0,335	20	6,0	24,0	50		11	C5111400	15,0	50
	13	C5013400	4,0	10,0	0,157	0,394	22	6,5	26,0	50		13	C5113400	15,0	50
	16	C5016400	5,0	12,0	0,197	0,472	24	6,5	27,5	50		16	C5116400	15,0	50
	21	C5021400	8,0	16,0	0,315	0,630	30	7,0	28,0	20		21	C5121400	15,0	20
	29	C5029400	11,0	21,0	0,433	0,827	40	8,0	30,0	20		29	C5129400	15,0	20
	36	C5036400	16,0	28,0	0,630	1,102	50	9,0	38,0	10		36	C5136400	15,0	10
	42	C5042400	22,0	34,0	0,866	1,339	58	10,0	40,0	5		42	C5142400	15,0	5
48DIN	C5049400	28,0	40,0	1,102	1,575	65	10,0	44,0	5	48DIN	C5149400	15,0	5		
NPT	3/8"	C5408000	4,0	9,5	0,157	0,374	17	15,0	23,0	50	NPT	3/8"	C5408000	15,0	50
	1/2"	C5412000	7,0	13,0	0,276	0,512	22	20,0	26,0	50		1/2"	C5412000	15,0	50
	3/4"	C5420000	8,0	16,0	0,315	0,630	27	20,0	28,0	20		3/4"	C5420000	15,0	20
	1"	C5428000	11,0	21,0	0,433	0,827	34	25,0	30,0	20		1"	C5428000	15,0	20
NPT RED*	3/8"	C5408400	2,5	7,0	0,098	0,276	17	15,0	23,0	50	NPT RED*	3/8"	C5408400	15,0	50
	1/2"	C5412400	4,0	10,0	0,157	0,394	22	20,0	26,0	50		1/2"	C5412400	15,0	50
	3/4"	C5420400	5,0	13,0	0,197	0,512	27	20,0	28,0	20		3/4"	C5420400	15,0	20
	1"	C5428400	7,0	17,0	0,276	0,669	34	25,0	30,0	20		1"	C5428400	15,0	20

*RED : Reduced sealing / Garniture réductrice

Dimension in millimeters