



NU-GUARD SC2-P



NU-GUARD SC2-P



Mechanical & Abrasion Protection
Noise Reduction



Self-Closing Sleeving



Knitted



PET monofilament
Texturized multifilament



Standard: Black with purple stripe



Low: -40°C (-40°F)
High: 150°C (302°F)



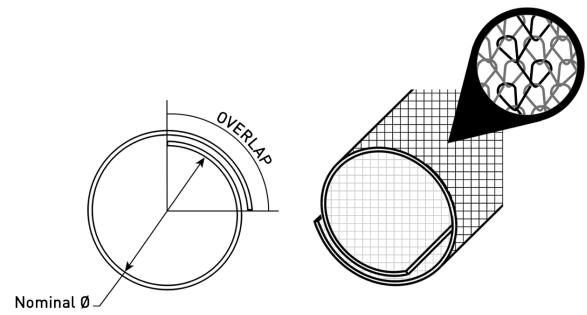
Medium abrasion resistance
Noise reduction >10 dB

PHYSICAL PROPERTIES

Physical properties	Spec	Value
Operating temperature	-	-40/150°C [-40/302°F]
Peak temperature	-	175°C (347°F)
Abrasion resistance	SAE ARP 1536A	> 100 000 cycles
Flammability	SAE J 369	self-extinguishing
Chemical resistance	Resists the majority of chemicals and automotive fluids	

DIMENSIONS

Designation	Nominal Ø (inches)	Nominal Ø (mm)	Functional Ø (mm)
NU-GUARD SC2-P 05	3/16"	5	4 - 5
NU-GUARD SC2-P 08	5/16"	8	6 - 8
NU-GUARD SC2-P 10	3/8"	10	9 - 10
NU-GUARD SC2-P 13	1/2"	13	11 - 13
NU-GUARD SC2-P 16	5/8"	16	14 - 16
NU-GUARD SC2-P 19	3/4"	19	17 - 19
NU-GUARD SC2-P 25	1"	25	20 - 25
NU-GUARD SC2-P 29	1 1/8"	29	26 - 29
NU-GUARD SC2-P 32	1 1/4"	32	30 - 32
NU-GUARD SC2-P 38	1 1/2"	38	33 - 38
NU-GUARD SC2-P 42	1 3/4"	42	39 - 42



PACKAGING

Coils
Cut lengths upon request