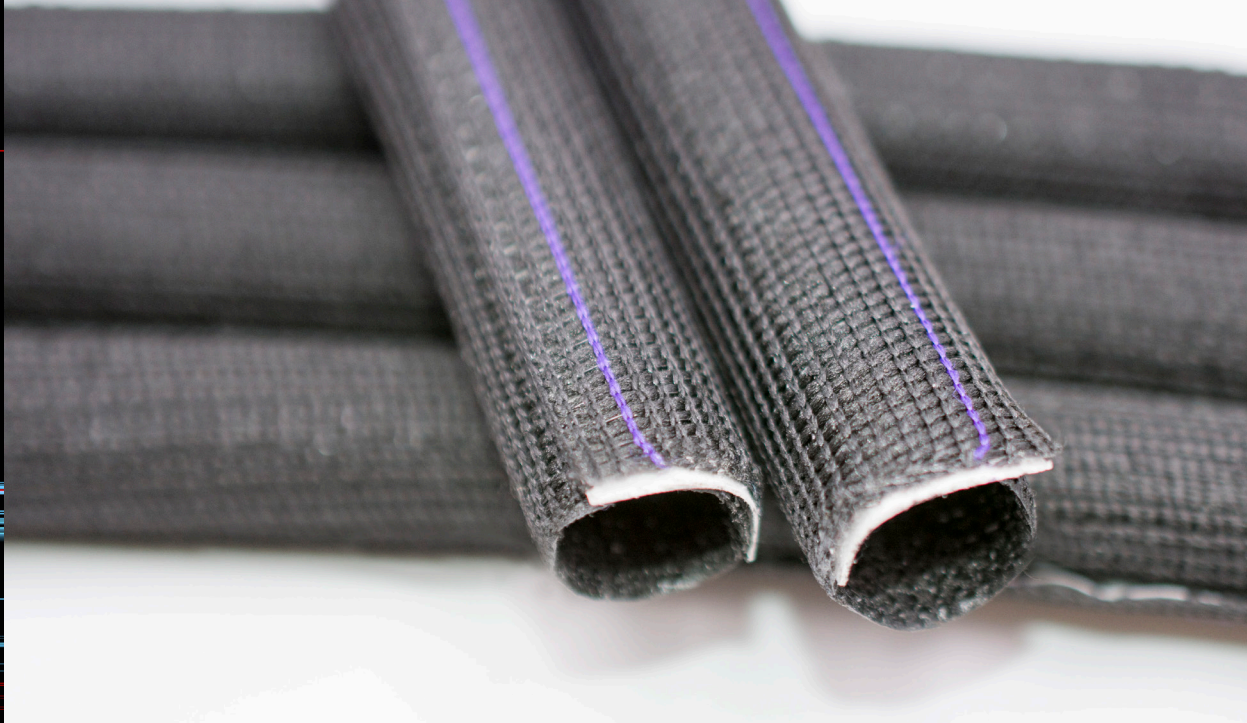


NU-GUARD SC2-P ADH



NU-GUARD SC2-P ADH



Mechanical & Abrasion Protection
Noise Reduction



Self-Closing Sleeving



Knitted



PET monofilament
Texturized multifilament
Acrylic adhesive



Standard: Black with purple stripe



Low: -40°C (-40°F)
High: 150°C (302°F)



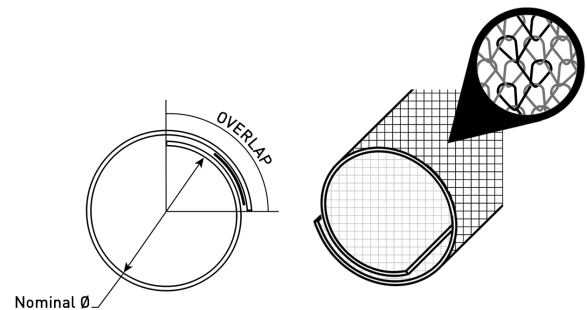
Medium abrasion resistance
Noise reduction >10 dB
Closure with an adhesive film

PHYSICAL PROPERTIES

Physical properties	Spec	Value
Operating temperature	-	-40/150°C (-40/302°F)
Peak temperature	-	175°C (347°F)
Abrasion resistance	SAE ARP 1536A	> 100 000 cycles
Flammability	SAE J 369	self-extinguishing
Chemical resistance	Resists the majority of chemicals and automotive fluids	

DIMENSIONS

Designation	Nominal Ø (inches)	Nominal Ø (mm)	Functional Ø (mm)
NU-GUARD SC2-P ADH 09	3/8"	9	8 - 9
NU-GUARD SC2-P ADH 12	1/2"	12	10 - 12
NU-GUARD SC2-P ADH 16	5/8"	16	13 - 16
NU-GUARD SC2-P ADH 18	5/7"	18	17 - 18
NU-GUARD SC2-P ADH 22	7/8"	22	19 - 22
NU-GUARD SC2-P ADH 25	1"	25	23 - 25
NU-GUARD SC2-P ADH 32	1 1/4"	32	26 - 32
NU-GUARD SC2-P ADH 36	1 27/64"	36	33 - 36
NU-GUARD SC2-P ADH 42	1 11/16"	42	37 - 42



PACKAGING

Cut lengths