



## NU-KOOL T2-G



Radiant Heat Protection



Reflective Sleeving & Heat Shield



Tubular braided sleeve + Aluminized foil



Fiberglass  
Aluminized foil



Standard: Silver



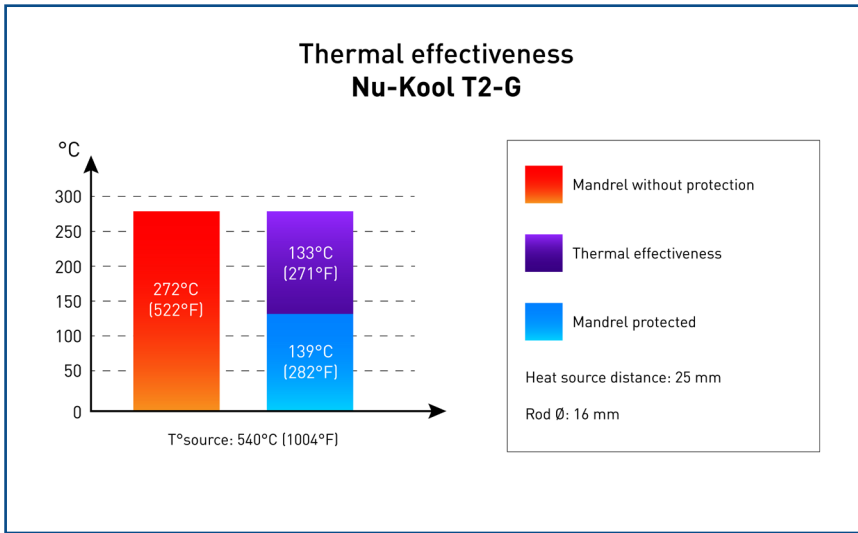
Low: -40°C (-40°F)  
High: 200°C (392°F)



Thermal insulation  
Extremely flexible

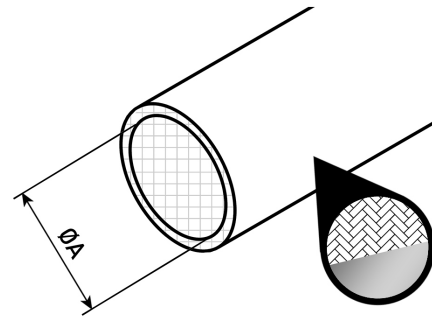
## PHYSICAL PROPERTIES

Physical properties	Spec	Value
Thermal effectiveness	SAE J2302	see graph
Operating temperature	-	-40/200°C (-40/392°F)
Peak temperature	-	225°C (437°F)
Emissivity	ASTM E408	0.1
Flammability	FMVSS 302 SAE J369	self-extinguishing
Chemical resistance	Resists the majority of chemicals and automotive fluids	



## DIMENSIONS

Designation	Nominal A Ø (inches)	Nominal A Ø (mm)
NU-KOOL T2-G 06	1/4"	6
NU-KOOL T2-G 08	5/16"	8
NU-KOOL T2-G 10	3/8"	10
NU-KOOL T2-G 13	1/2"	13
NU-KOOL T2-G 16	5/8"	16
NU-KOOL T2-G 19	3/4"	19
NU-KOOL T2-G 22	7/8"	22
NU-KOOL T2-G 25	1"	25
NU-KOOL T2-G 29	1 1/8"	29
NU-KOOL T2-G 32	1 1/4"	32
NU-KOOL T2-G 38	1 1/2"	38
NU-KOOL T2-G 45	1 3/4"	45
NU-KOOL T2-G 51	2"	51



## PACKAGING

Coils  
Cut lengths upon request