

NU-KOOL T-P



NU-KOOL T-P



Radiant Heat Protection



Reflective Sleeving & Heat Shield



Tubular braided sleeve + Aluminized foil



Polyester mono/multifilament
Aluminized foil



Standard: Silver



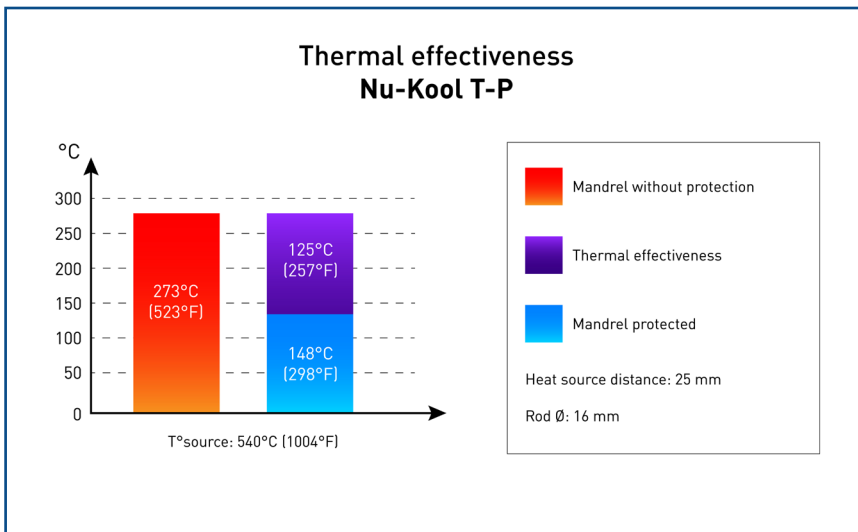
Low: -40°C (-40°F)
High: 150°C (302°F)



No cracking on tight bend

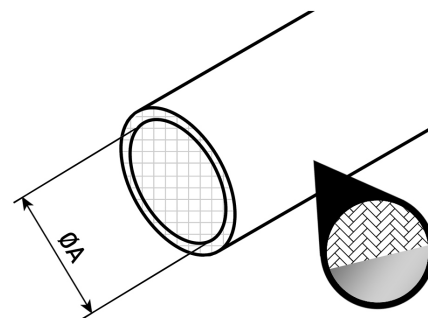
PHYSICAL PROPERTIES

Physical properties	Spec	Value
Thermal effectiveness	SAE J2302	see graph
Operating temperature	-	-40/150°C (-40/302°F)
Short term aging (240h/175°C)	-	175°C (347°F)
Heat aging (6h/200°C (392°F))	-	pass
Flammability	FMVSS 302 SAE J369	self-extinguishing
Chemical resistance	Resists the majority of chemicals and automotive fluids	



DIMENSIONS

Designation	Nominal A Ø (inches)	Nominal A Ø (mm)
NU-KOOL T-P 08	5/16"	8
NU-KOOL T-P 10	3/8"	10
NU-KOOL T-P 13	1/2"	13
NU-KOOL T-P 16	5/8"	16
NU-KOOL T-P 19	3/4"	19
NU-KOOL T-P 22	7/8"	22
NU-KOOL T-P 25	1"	25
NU-KOOL T-P 29	1 1/8"	29
NU-KOOL T-P 32	1 1/4"	32



PACKAGING

Coils
Cut lengths upon request